



part of your success

groku Kunststoffe GmbH
Fosse Bredde 1
33758 Schloß Holte-Stukenbrock
Germany
Phone +49 5207 9148-0
Fax +49 5207 9148-10
info@groku.de | www.groku.de

General product information

Article

Article-nr.	EZE 11000
Product	Bucket round
ISO-volume	11.2 liter
Brimful-volume	12.0 liter
Paint mixing-machines suitable	Yes
Max. load capacity lowermost bucket	60 kg (20 °C) *

Dimensions

Upper diameter (A)	291 mm
Lower diameter (B)	253 mm
Height (C)	221 mm
Height with lid (D)	222 mm

Material

Packaging bucket	Polypropylene
Lid	Polypropylene
Color	White; Color at customer's option
Handle	Metal/plastic

Weight

Bucket	310 g
Lid	85 g
Handle metal	38 g
Handle plastic	16 g
Roll	4 g

Decoration

Bucket – Offset print (L x H)	150 x 815 mm
Bucket – IML (L x H)	On request
Lid – Offset print (L x H)	On request
Lid – IML (L x H)	On request

Note: For print-layouts please see our "General print requirements" and "Decoration" on our website www.groku.de

Options

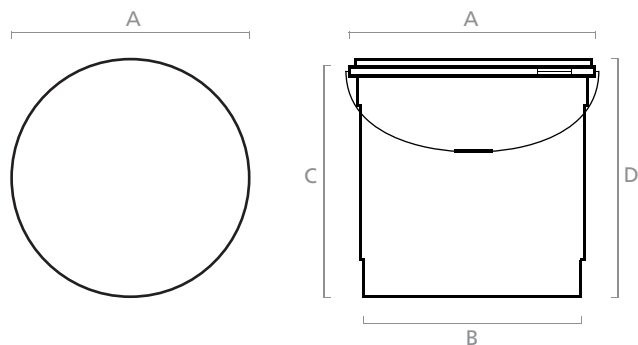
Lid	Various versions
Custom colors	On request

Note: Different closure systems e.g. tamper evident closure, opening aids etc. Professional advice will be given to identify customers' optimal bucket.

Other

Technical changes possible; tolerances +/- 5%; AGB
* In compliance with packaging instructions

Bucket round EZE 11000



Packaging units

Bucket – Pallet	500 units
800 x 1200 mm	
Lid – Pallet	2200 units
800 x 1200 mm	

Pallet pattern

Units per layer	11
Stacking height threefold	790 mm
Any additional bucket	213 mm

Your notes
