



part of your success

groku Kunststoffe GmbH
Fosse Bredde 1
33758 Schloß Holte-Stukenbrock
Germany
Phone +49 5207 9148-0
Fax +49 5207 9148-10
info@groku.de | www.groku.de

General product information

Article	
Article-nr.	EZE 10000
Product	Bucket round
ISO-volume	10.9 liter / 11.5 liter *
Brimful-volume	11.5 liter
Paint mixing-machines suitable	Yes

Dimensions	
Upper diameter (A)	265 mm
Lower diameter (B)	225 mm
Height (C)	264 mm
Height with lid (D)	265 mm

Material	
Packaging bucket	Polypropylene
Lid	Polypropylene
Color	White; Color at customer's option
Handle	Metal/plastic

Weight	
Bucket	280 g
Lid DZE 10000	70 g
Seal lid *	55 g
Handle metal	37 g
Handle plastic	14 g

Decoration	
Bucket – Offset print (L x H)	190 x 730 mm
Bucket – IML (L x H)	On request
Lid – Offset print (L x H)	On request
Lid – IML (L x H)	On request

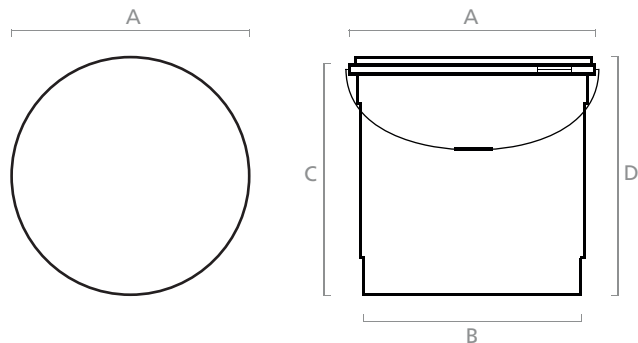
Note: For print-layouts please see our "General print requirements" under "Decoration" on our website www.groku.de

Options	
Lid	Various versions
Custom colors	On request

Note: Different closure systems e.g. tamper evident closure, opening aids etc. Professional advice will be given to identify customers' optimal bucket.

Other	
Technical changes possible; tolerances +/- 5%; AGB	

Bucket round EZE 10000



Packaging units	
Bucket – Pallet	572 units
Lid DZE – Pallet	2640 units
Seal lid – Pallet	2640 units

Pallet pattern	
Units per layer	11
Stacking height threefold	910 mm
Any additional bucket	250 mm

Your notes	